

Motorcycle Trailers

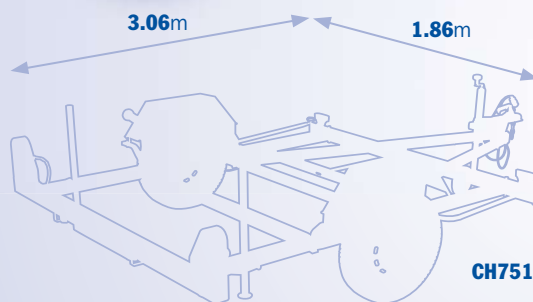
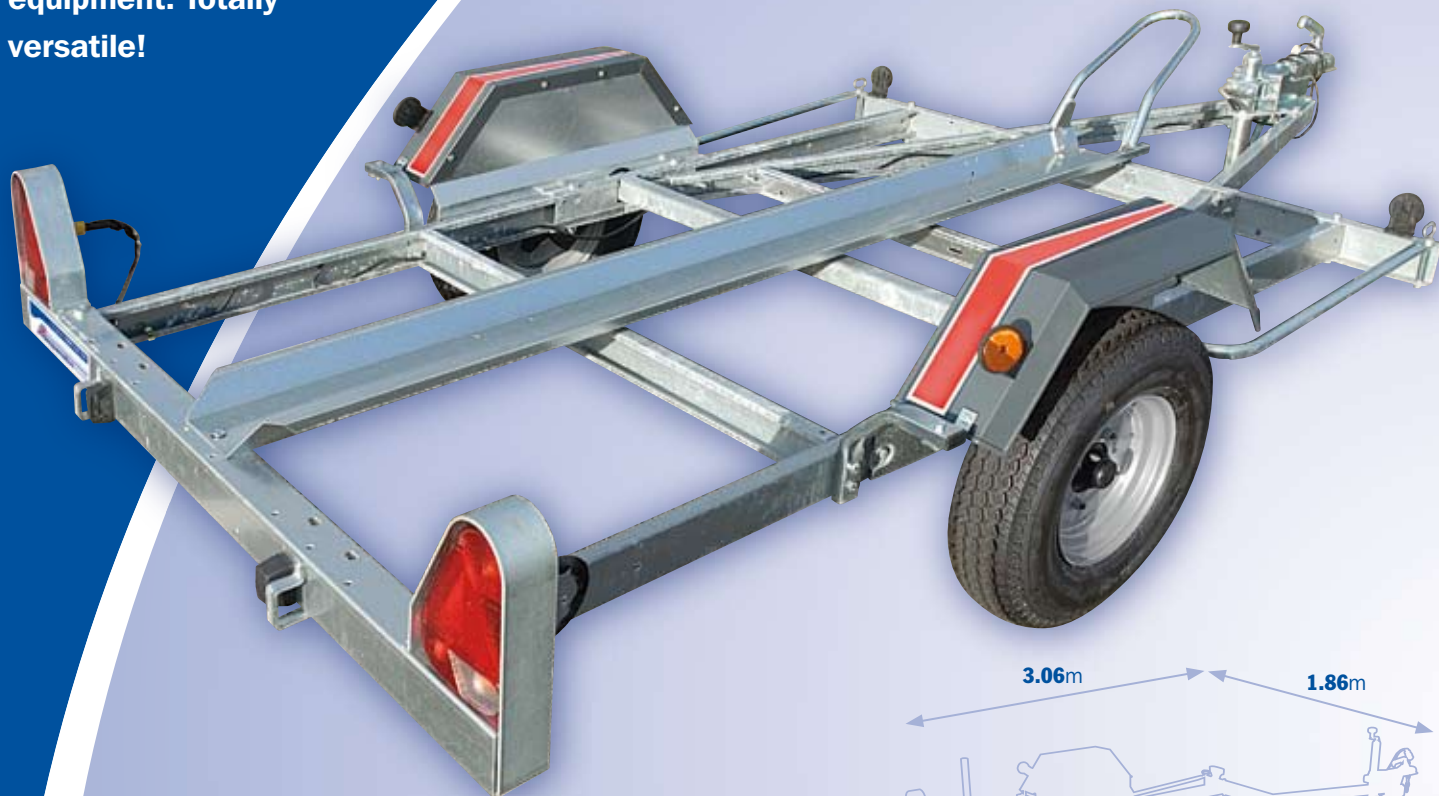
Lookin' for adventure?



CH751 & CH451

Versatile

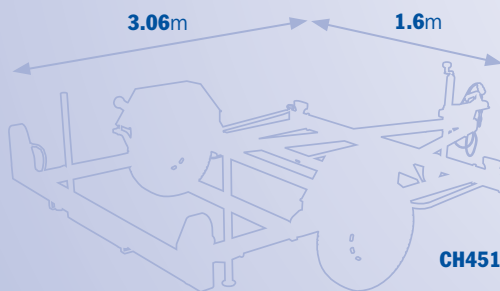
Motorcycle trailers that can also transport cycles, quads, lawn mowers and other equipment. Totally versatile!



The CH751 is a triple motorcycle trailer and the CH451 is a double motorcycle trailer.

Both are packed with practical features; including protected rear light clusters, accessible spare wheel position, stabilising prop supports and much more.

See the Spec & Options pages for more details.



Options

There are a full range of high quality options available...

- 1, 2 or 3 rails (sold separately)
- With or without reinforced footboard
- Stabilising prop stands which can also be used as a jack
- Phenolic plywood decking
- Loading ramps
- Cycle carriers
- Front bumper protector



1 rail + 2 footboards



2 rails + 1 footboard



3 rails



Adjustable wheel holder



Phenolic plywood decking



2 ramps



Transport large objects



Transport 6-10 bicycles



Features

- Spare wheel housing facility
- Telescopic jockey wheel
- Adjustable wheel holder & various lashing points
- Inset rear light clusters & forward mounted cycle deflectors
- Fully galvanised chassis
- Low ride for stability whilst towing



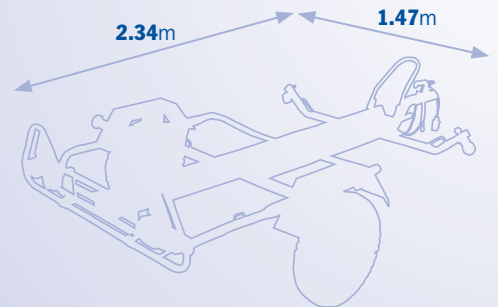
PM310/1R

A single motorcycle trailer with plenty of solid features to help get you out and about. Great value too.

Value



Features include protected rear light clusters, accessible spare wheel position and much more. See the Spec & Options pages for more details.



Features

- Low bed height, for easier loading
- Adjustable wheel holder accommodates various sizes of motorcycles
- Hinged tailgate for easy loading
- Loading ramp securing facility
- Six lashing points
- Will store on end



Hinged tailgate



Ramp securing facility



Adjustable wheel holder

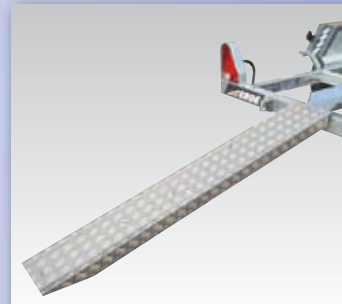


6 lashing points



Options

- Loading ramp



Loading ramp

Stability and Design Quality

Indispension is always concerned by the security of its products

- All our trailers comply with the latest European standards and regulations
- Our trailers have been awarded TUV approval (the German regulatory authorities, whose stringency is legendary)



Wide chassis and low ride ensure good stability, for peace of mind.



Spec & Options

Look at the tables for a complete rundown of each trailer's technical details and the optional accessories available.

Technical Specifications			
Model	CH451	CH751	PM310/1R
Gross Vehicle Weight (kg)	450	750	300
Unladen Weight (kg)	100	125	60
Carrying Capacity (kg)	350	625	240
Internal Dimensions (cm)	202 x 125	202 x 150	200 x 112
Overall Dimensions (cm)	300 x 160 x 70	300 x 186 x 70	245 x 145 x 78
Wheel Size	500 x 10	145R13	400 x 10
Chassis ground clearance (cm)	38	38	38



Freephone 0800 720 720

The national trailer company
isa.com

Optional Accessories			
Description	PM310/1R	CH451	CH751
1 Rail with front wheel holders 2m long	Standard	RA450	RA450
2 Small loading ramp 1m long	RC001	RC001	RC001
3 Reinforced loading ramp 1.5m long	RC450	RC450	RC450
4 Chequerplate footboard 200 x 38cm	-	MP451	MP451
5 Front bumper protectors	-	RB451	RB451
6 Telescopic jockey wheel (RJ200)	-	Standard	Standard
7 Spare wheel	RS 400 x 10	RS 500 x 10	RS 145R13
8 Spare wheel support	Standard	SP451	SP451
9 Coupling lock	AV002	AV002	AV002
10 Motorcycle handlebar strap kit	LR119	LR119	LR119
11 Ratchet strap 4.5m long	9191068	9191068	9191068
12 Plywood decking	-	PB451	PB751
13 Bicycle carrier (economy)	8650C	8650C	8650C
14 Bicycle carrier (lockable)	1242	1242	1242
15 Wheel holder	MB001	MB001	MB001



1



2



3



4



5



6



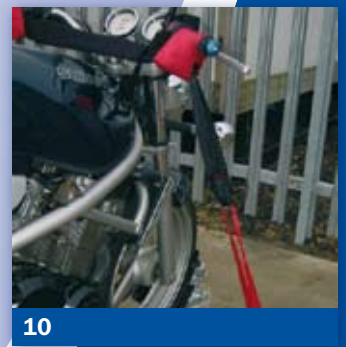
7



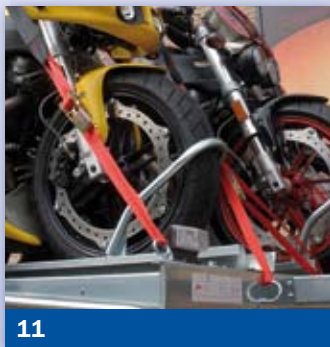
8



9



10



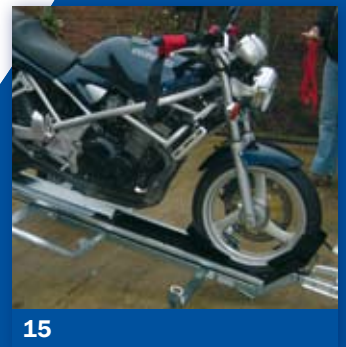
11



12



13 & 14



15

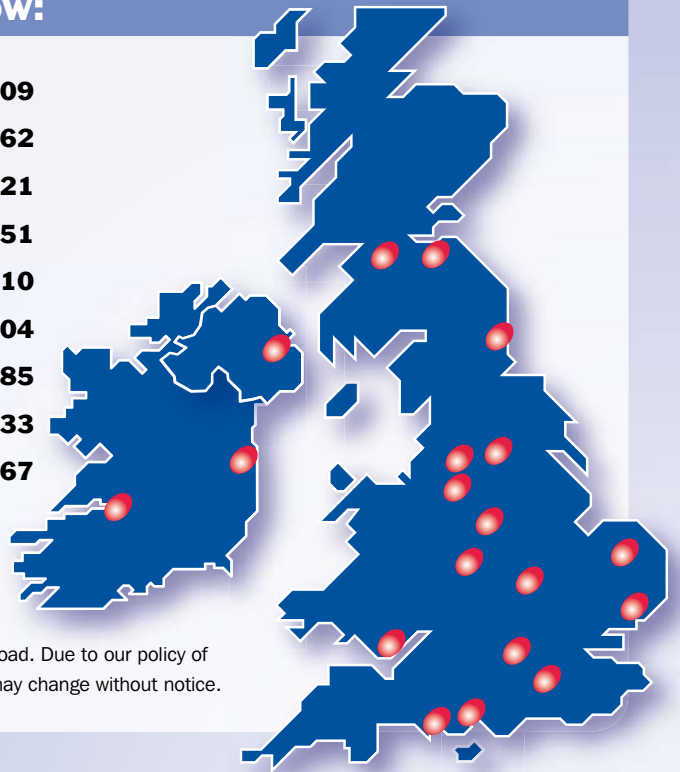
Call Your Nearest Indespension Store Now:

Belfast	028 9083 9933	Manchester	0161 495 9009
Bolton	01204 397 999	Newcastle	0191 276 1162
Cardiff	029 2081 3311	Northampton	01604 259 221
Derby	01332 348 555	Norwich	01603 417 851
Dublin	(01) 808 1300	Poole	01202 672 410
Edinburgh	0131 661 7571	Reading	0118 957 5004
Glasgow	0141 956 3055	Redhill	01737 768 185
Ipswich	01473 749 922	Southampton	01489 571 133
Leeds	0113 270 7444	West Midlands	0121 561 5467
Limerick	(061) 225 700		

Call Free On:
0800 720 720

for information about other stockists

All dimensions are for guideline use only.
Optional extras can effect the trailer payload. Due to our policy of continuous improvement, specification may change without notice.



Service and Hire

Each Indespension Store has an experienced team of professionals capable of carrying out a variety of work from inspection, parts replacement, accident damage and servicing. Stay on the right side of the law, have your trailer regularly checked by Indespension.

Indespension can also offer a low cost solution to your transportation problems whether you are moving house, taking the kids to university, going camping, collecting a vehicle, a piece of furniture or just garden waste.

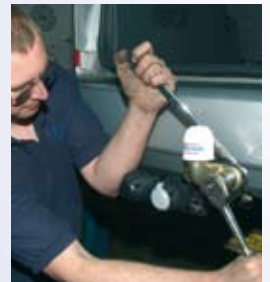
Suitable box-trailers, goods trailers, tippers, camping and car transporters are all available on hire from our Indespension Stores. Daily, weekly and long term contract rates are available.

Towbar Fitting

Indespension offers a professional towbar fitting service where our experienced team will fit the right towbar to the right vehicle, at the right price and right on time.

Make an appointment with one of our stores and it will be fitted while you wait or arrange a time to collect it when ready.

Simple!



Indespension would like to thank Manchester Harley-Davidson for allowing the use of their motorcycles and facilities.
Manchester Harley-Davidson, Hempshore Lane, Stockport, SK1 4LG. Tel: 0161 429 5500.
www.manchesterharley-davidson.co.uk



By Appointment to
Her Majesty The Queen
Trailer Manufacturer
Indespension Ltd.



Why not buy on-line with www.indespension.com?

Indespension Limited, Paragon Business Park, Chorley New Road, Horwich, Bolton BL6 6HG



Leaflet Code WC23-06/07

The national trailer company
Indespension.com